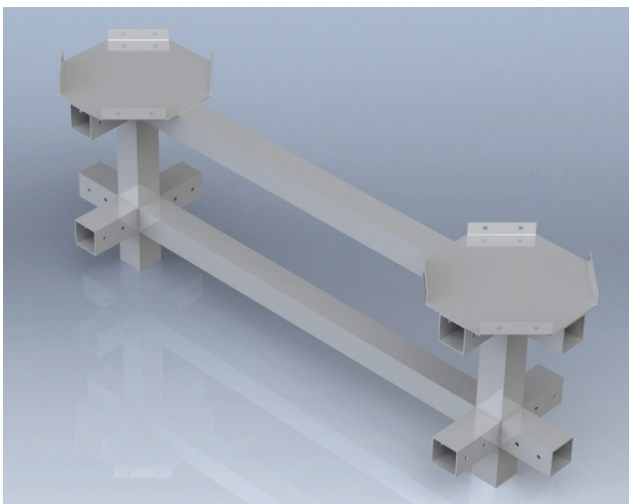


ISO-Stand™ Seismic Supports are designed for use under critical equipment in computer rooms, or other raised access floor environments, to enhance and support both their static and dynamic weight loads during seismic activity.

ISO-Stand™ Seismic Supports allow seismic isolation platforms such as ISO-Base™, OCTO-Base™, or AISLE-Base™ to be integrated and mounted to the top of the support frame design.

The lower portion of the isolation platforms can be lowered and inset to match the height of the raised access floor, thereby reducing the overall platform height.

The ISO-Stand™ Seismic Supports are made of structural steel, and can be anchored to the subfloor into adjustable foot brackets that are adjustable up to 1.5". It is also available with seismic isolation mounting brackets for enhanced three axis isolation.



FEATURES & SPECIFICATIONS

- Modular Design for ease of assembly and installation
- Allows top-mounting of seismic rolling isolation platform systems
- Can be used under all types of equipment
- Provide support for concentrated weight loads of aisle containment systems
- Reduce Lateral Stress on existing raised access flooring systems

**Color: Appliance White with high gloss finish
(custom colors available upon request)**

Size: Customizable to your needs

Height: From 12" to 48"